



# Captair 321 Smart

Ductless filtering fume hoods

## Safer to operate with Smart Technology that includes:

- Erlab's advanced carbon filtration technology and/or HEPA/ULPA accomodates your specific needs
- Meets AFNOR NFX 15 211/ANSI Z9.5-2012 filtration efficiency standard (class 1 and 2)
- Sensors that detect filter breakthrough of solvents, acids or formaldehyde
- Safety back up filter in case of main filter saturation
- Continuous monitoring of air face velocity
- Erlab Safety Program: application analysis and validation, usage certification, filter change reminders
- Connect with eGuard™ for real-time status, notifications and alerts

## Simpler to use with Smart-Light™

With Smart-Light, you can easily see that the hood is operating safely. Should the light pulse, you are notified that:

- Containment has been compromised or,
- The filter has breakthrough or,
- There is a fan failure

## Flexibility

- The configurable filtration column will accommodate application changes
- No ductwork needed. This allows you to move the hood anywhere

## Savings

- No ductwork cost
- Annual energy costs decrease significantly
- Energy savings outweigh filter replacement costs

## Environment

- No dangerous chemicals are released into the atmosphere
- Low energy consumption



You get the highest level of filtration performance



Smart-Light keeps you safe

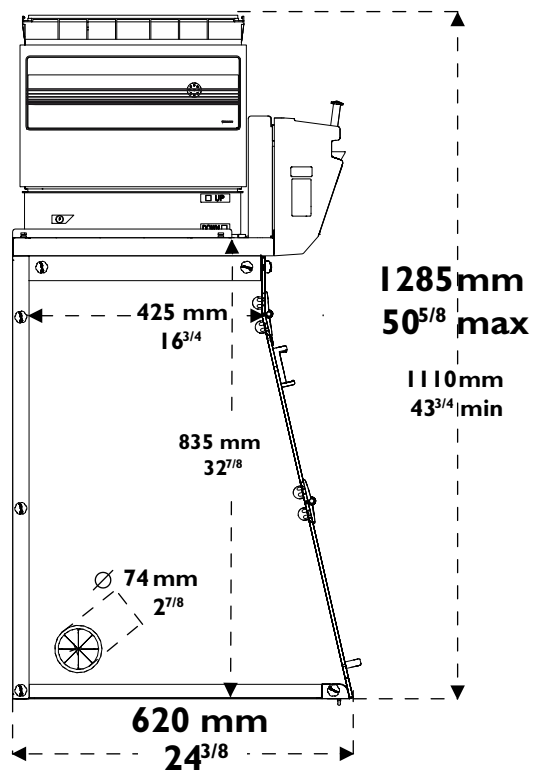
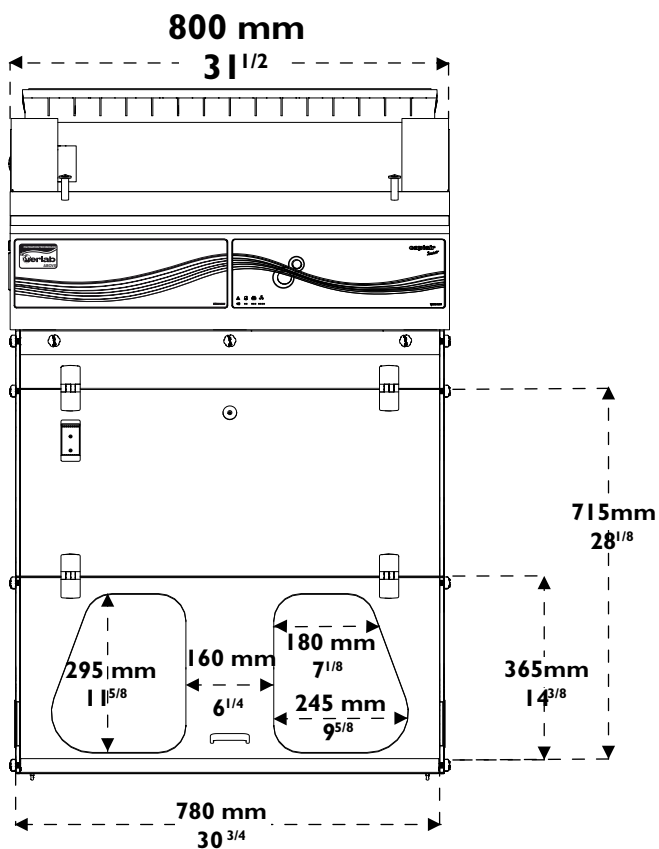


Connect your equipment and download the eGuard App for remote access



Download our eGuard application



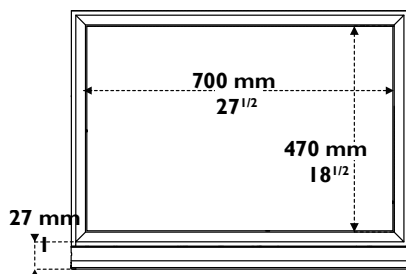


Heights according to the filtration column configuration

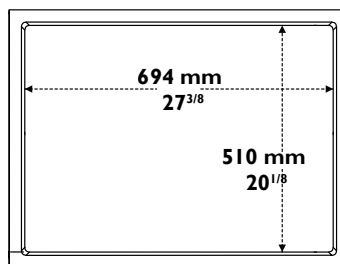
Type 1C or 1P	1110 mm (43 3/4)	Please add 150mm (5 7/8) between the last filter and the ceiling to allow a good air recirculation and to replace filters easily
Type 2C or 1P1C or 1C1P	1205 mm (47 1/2)	
Type 1P2C or 1P1C1P	1285 mm (50 5/8)	

### Work surfaces with built in spill tray

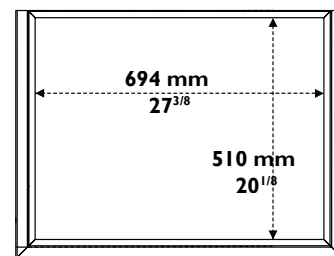
Tempered glass



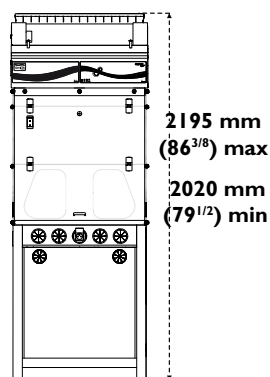
Phenolic resin



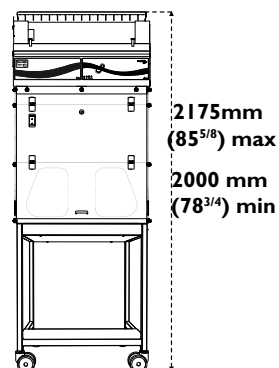
304 L stainless steel



Benchcap: fixed work bench



Mobicap: rolling cart





Designed with you in mind: our filtration column can be configured for your specific application requirements

		Products handled / Applications			
		Liquid chemical handlings	Powder weighing	Liquid chemical and powder handlings	Liquid chemical handlings in clean room
Customized filtration column	Class I according to the NF X 15-211		NA		
	Class 2 according to the NF X 15-211				



**Carbon filtration for gases and vapors**  
 AS: For organic vapours  
 BE+: Polyvalent for acid + organic vapors  
 F: For formaldehyde vapours  
 K: For ammonia vapours



**Particulate filtration for powders**  
 HEPA H14: 99.995 % efficiency filtration of particles over 0.1 µm in size  
 ULPA U17: 99.999995 % efficiency filtration of particles over 0.1 µm in size



• **Molecode**  
 Automatic alarm to detect filter saturation

## Specifications

<b>Safety Standards</b>	AFNOR NF X 15-211:2009: France - BS 7989: England DIN 12 927:Germany - EN 1822:1998 (HEPA H14 & ULPA U17 Filters) - CE Marking
<b>Air Flow</b>	220 m3/h / 129 CFM
<b>Air Face Velocity</b>	0.4 to 0.6 m/s / 79 fpm to 118 fpm
<b>Voltage/Frequency</b>	90 - 220V / 50-60Hz
<b>Power consumption</b>	65 W
<b>Sash openings</b>	The oblong shape allows for proper containment and ergonomic mobility
<b>Structure</b>	Corrosion resistant electro-galvanized steel coated with anti-acid polymer
<b>Side and front panels</b>	Chemical resistant acrylic
<b>Filtration module</b>	Polypropylene

## Features

<b>Smart-Light</b>	When the light is pulsing: indicates that containment is compromised, or there is filter breakthrough, or there is a fan failure
<b>Filtration technology</b>	1 column that can be configured to handle liquids, powders, or both
<b>Carbon filter for gases and vapors</b>	Depending on the filtration column configuration (see table above)
<b>Particulate filtration for powders</b>	Depending on the filtration column configuration (see table above)
<b>eGuard app (Android or iOS)</b>	For remote control to monitor the hood status, change the settings, and deliver safety alerts immediately to your devices (mobile, tablet and PC)
<b>Internal lighting</b>	LED lighting > 650 Lux
<b>Anemometer</b>	Hot-wire anemometer will alarm if the face velocity decreases
<b>Chemical Listing</b>	List of most commonly used chemicals (NIOSH) and their retention capacity by our filters

## Accessories

<b>Work Surfaces</b>	Phenolic Resin, Glass, or 304L Stainless Steel
<b>Molecode</b>	Detection sensor: Type S, for solvents / Type A, for acids / Type F, for formaldehyde
<b>Benches</b>	Rolling cart (Mobicap) or fixed bench (Benchcap)
<b>Transparent Back Panel</b>	Clear acrylic panel for easy viewing



Erlab's state of the art Research & Development Laboratory relying exclusively on filtration

#### North America

+1 800-964-4434 | [captairsales@erlab.com](mailto:captairsales@erlab.com)

#### China

+86 (0) 512 5781 4085 | [sales.china@erlab.com.cn](mailto:sales.china@erlab.com.cn)

#### France

+33 (0) 2 32 09 55 80 | [ventes@erlab.net](mailto:ventes@erlab.net)

#### Germany

0800 330 47 31 | [verkauf@erlab.net](mailto:verkauf@erlab.net)

#### Italy

+39 (0) 2 89 00 771 | [vendite@erlab.net](mailto:vendite@erlab.net)

#### Malaysia

+60 (0) 7 3 555 724 | [erlab@tm.net.my](mailto:erlab@tm.net.my)

#### Spain

+34 93 673 24 74 | [ventas@erlab.net](mailto:ventas@erlab.net)

#### United Kingdom

+44 (0) 1722 341 940 | [salesuk@erlab.net](mailto:salesuk@erlab.net)

[www.erlab.com](http://www.erlab.com)

## About Erlab

### We provide safety, we protect your health

Erlab invented the ductless fume hood in 1968. With more than 45 years of experience in the field of chemical filtration and protection of laboratory personnel; we know the formula for safety. With Erlab, you will never have to wonder or worry if our products are safe. We build each one of the following 7 ingredients into our products, and without all of them, your health and safety will be compromised.

#### 1 Erlab R&D Laboratory

The engineers and chemists in our state-of-the-art R&D laboratory understand molecular filtration. We are committed to designing products that are safe and of the highest quality, strive to improve our products, and continuously develop new products that provide greater protection in the laboratory.

#### 2 Strict Safety Standards

We hold ourselves to the highest standard and adhere to the strict AFNOR NF X 15-211: 2009 filtration safety standard as endorsed by ANSI Z9.5-2012.

#### 3 A Published Chemical Listing

It all begins here. Without this listing, we are not compliant with AFNOR NFX 15-211. Our in-house laboratory tests, as well as independent testing to verify the retention capacity of over 700 chemicals for our filters.

#### 4 Independent Testing

Erlab filters have been independently tested multiple times at various concentrations guaranteeing that our safety solutions all adhere to the strict performance criteria of the AFNOR NF X 15-211:2009 standard assuring that the emission concentration at the filter exhaust will always be lower than 1% of the TLV.

#### 5 Application Questionnaire (Valiquest)

Our laboratory specialists will recommend the appropriate filtration fume hood, type of filter, and personalized advice.

#### 6 Certificate of Validation for the chemicals used in the hood

A certified PhD chemist issues a Certificate of Validation with a list of the chemicals approved for use in the hood.

#### 7 Our Safety Program

We back up our products 100%. This program includes your specialized chemical evaluation, validation of your hood upon installation, and a filtration safety specialist at your service to ensure that your hood is operating to its full potential.